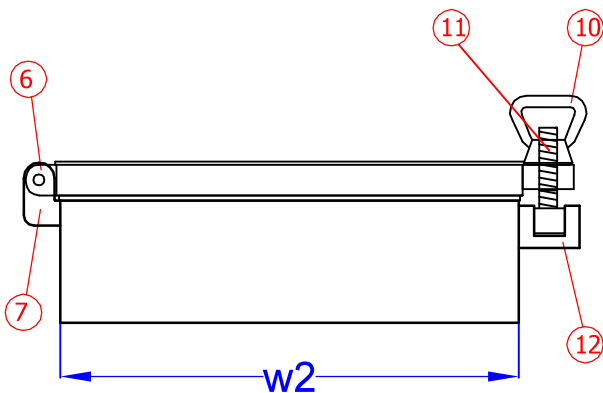
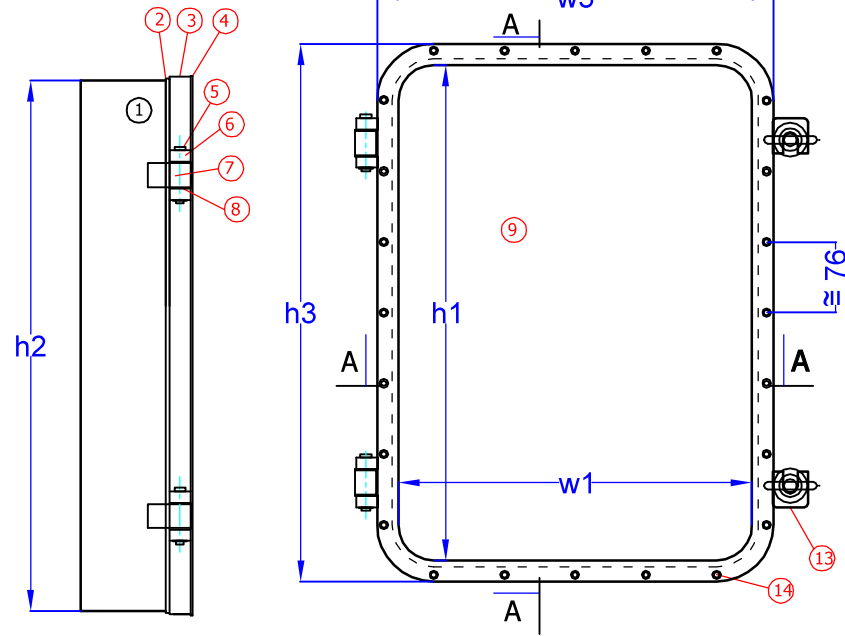


$w_1 \times h_1$	$w_2 \times h_2$	$w_3 \times h_3$	t (min)
400x560	450x610	460x620	10
400x600	450x650	460x660	10
600x800	650x850	660x860	12

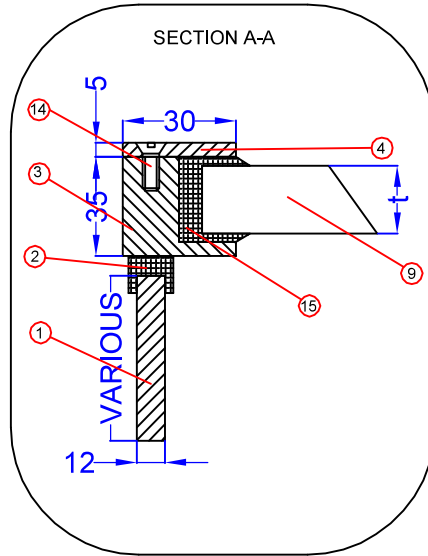
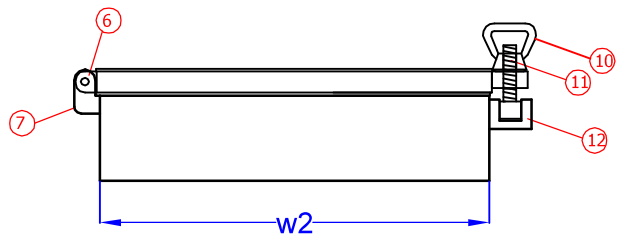


15	Glazing Material	EPDM	8	Washer	Brass
14	Screw - M6x12	Stainless Steel	7	Hinge	Steel or Stainless Steel
13	Thumbscrew Socket	Bronze or Steel or Stainless Steel or Aluminium	6	Hinge	Bronze or Steel or Stainless Steel
12	Thumbscrew Hinges	Steel or Stainless Steel or Aluminium	5	Pin	Stainless Steel
11	Screw	Brass or Stainless Steel	4	Glass Retaining	Stainless Steel
10	Thumbscrew	Bronze Or Stainless Steel	3	Movable Frame	Bronze or Steel or Stainless Steel or Aluminium
9	Glass (t)	Tempered Glass	2	Gasket	EPDM
			1	Main Frame	Steel or Stainless Steel or Aluminium
Item No	Item	Material	Item No	Item	Material

	Producer	HUSNA YAPI ve GEMI Malz. San. ve Tic. Ltd. Sti.	Projected	I.Z. DASTAN	Drawing No	I(L)RW TYPE-1
	Trade Mark	IDE MARINE	Controlled	D. CAT	Rev.	
	Drawing Name	INWARD (LEFT) RIGHT OPENNING WINDOW TYPE-1	Approved	I. DASTAN	Date	
					Scale	



$w_1 \times h_1$	$w_2 \times h_2$	$w_3 \times h_3$	t (min)
300x400	350x450	360x460	8
350x450	400x500	410x510	8
400x500	450x550	460x560	10
400x600	450x650	460x660	10
500x700	550x750	560x760	10
600x800	650x850	660x860	12
700x900	750x950	760x960	12
900x600	950x650	960x660	12
1000x700	1050x750	1060x760	15
1100x800	1150x850	1160x860	15



Item No	Item	Material	Item No	Item	Material
8	Washer	Brass	9	Glass (t)	Tempered Glass
1	Main Frame	Steel or Stainless Steel or Aluminium	10	Thumbscrew	Bronze Or Stainless Steel
2	Gasket	EPDM	11	Screw	Brass or Stainless Steel
3	Movable Frame	Bronze or Steel or Stainless Steel or Aluminium	12	Thumscrew Hinges	Steel or Stainless Steel or Aluminium
4	Glass Retaining	Stainless Steel	13	Thumbscrew Socket	Bronze or Steel or Stainless Steel or Aluminium
5	Pin	Stainless Steel	14	Screw - M6x12	Stainless Steel
6	Hinge	Bronze or Steel or Stainless Steel	15	Glazing Material	EPDM
7	Hinge	Steel or Stainless Steel			



Producer	HUSNA YAPI ve GEMI Malz. San. ve Tic. Ltd. Sti.	Projected	I.Z. DASTAN	Drawing No	I(L)RW TYPE - 2		
	Trade Mark		IDE MARINE		Controlled	D. CAT	Rev.
			Drawing Name			INWARD (LEFT) RIGHT OPENNING WINDOW TYPE - 2	Approved
					Scale		